

Presence detector - Professional Line

US 360

COM1 - Concealed wiring

EAN 4007841 007935

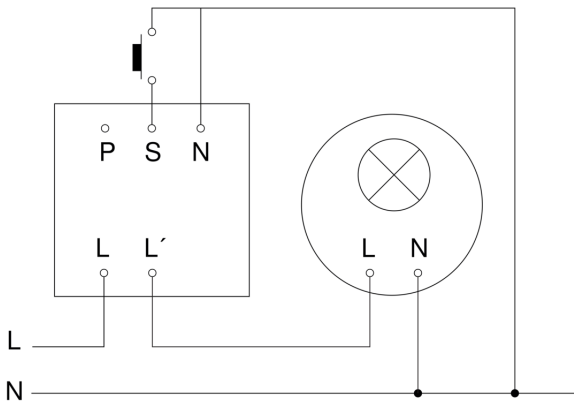
Article number 007935



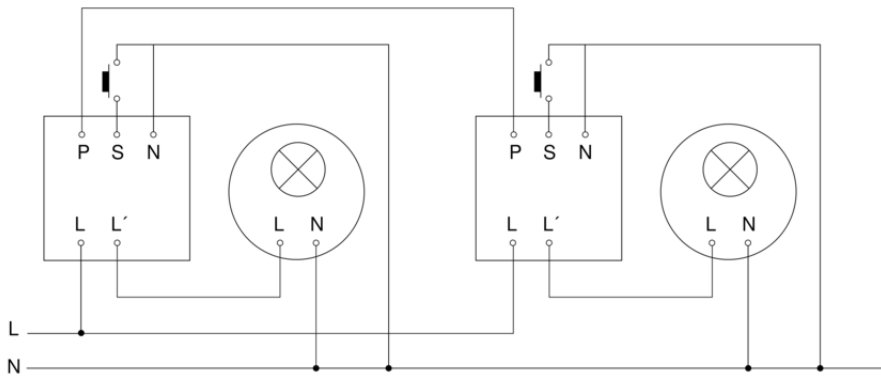
US 360

COM1 - Concealed wiring
EAN 4007841 007935
Article number 007935

Master circuit diagram



Master/master interconnection circuit diagram



US 360

COM1 - Concealed wiring
EAN 4007841 007935
Article number 007935



Master/slave interconnection circuit diagram

